



**Instruction Manual and Warranty Information**

KP-W001

**1 year limited warranty**

**Enhance the flavor of your wine in the time it takes to pour a glass.**

Thank you for purchasing The Sharper Image® Wine Aerator.

This product, along with the entire The Sharper Image collection, connects innovation with cutting-edge design to provide you with years of dependability and enjoyment. Whether you're a seasoned wine connoisseur or the occasional drinker, you'll appreciate the enriched flavor and bouquet a wine aerator produces even in the most expensive bottles of wine.

## IMPORTANT SAFEGUARDS

**READ ALL INSTRUCTIONS BEFORE USING**

**DANGER** - TO REDUCE THE RISK OF ELECTROCUTION:

- DO NOT allow children to use this product.
- Use this appliance only for its intended use as described in this manual. Do not use attachments not recommended by The Sharper Image; specifically any attachments not provided with the unit.
- This appliance is designed for personal, non-professional use only.

**SAVE THESE INSTRUCTIONS**

**Caution: All servicing of this product must be performed by SI Products Service Personnel only.**

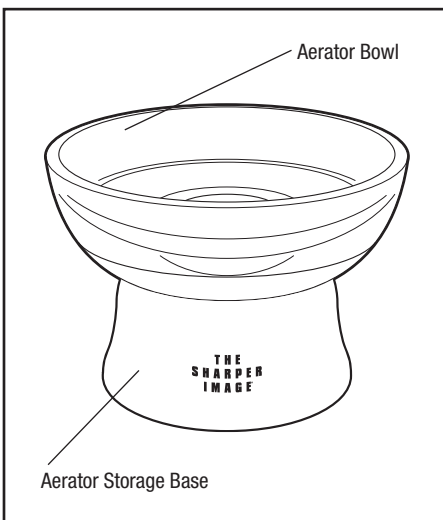


Fig. 1

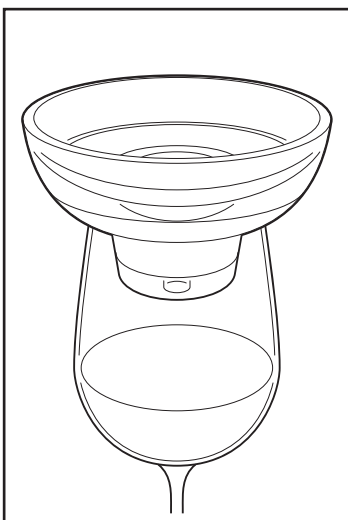


Fig. 2

## Wine Aerator – Operation Instruction

**1) Package Contents**

- Unpack and locate the following 2 items:
  - Wine Aerator Bowl
  - Aerator Storage Base

**NOTE: Wash aerator bowl before first time use.**

**2) Using the Wine Aerator**

- Put the wine aerator over the top of your wine glass.
- Pour the wine into the wine aerator.
- The wine aerator draws in and mixes the proper amount of air for the right amount of time as it filters into the wine glass, allowing your wine to breathe instantly. It's that simple, fast and convenient creating a better bouquet, enhanced flavors and smoother finish.
- Return the wine aerator to its base to be used later and to prevent drips.

## Cleaning and Care

Always rinse wine aerator and wash after every use.

**WARNING: Hand wash only with mild soap, NOT dishwasher safe**

**ONE YEAR LIMITED WARRANTY**

SI PRODUCTS sells its products with the intent that they are free of defects in manufacture and workmanship for the life of the original purchaser from the date of original purchase, except as noted below. SI PRODUCTS warrants that its products will be free of defects in material and workmanship under normal use and service. This warranty extends only to consumers and does not extend to Retailers.

To obtain warranty service on your SI PRODUCTS product, mail the product and your dated sales receipt (as proof of purchase), postpaid, to the following address:

SI PRODUCTS Consumer Relations  
 Service Center Dept. 168  
 3000 Pontiac Trail  
 Commerce Township, MI 48390  
 No COD's will be accepted.

SI PRODUCTS does not authorize anyone, including, but not limited to, Retailers, the subsequent consumer purchaser of the product from a Retailer or remote purchasers, to obligate SI PRODUCTS in any way beyond the terms set forth herein. This warranty does not cover damage caused by misuse or abuse; accident; the attachment of any unauthorized accessory; alteration to the product; improper installation; unauthorized repairs or modifications; improper use of electrical/power supply; loss of power; dropped product; malfunction or damage of an operating part from failure to provide manufacturer's recommended maintenance; transportation damage; theft; neglect; vandalism; or environmental conditions; loss of use during the period the product is at a repair facility or otherwise awaiting parts or repair; or any other conditions whatsoever that are beyond the control of SI PRODUCTS.

This warranty is effective only if the product is purchased and operated in the country in which the product is purchased. A product that requires modifications or adoption to enable it to operate in any other country than the country for which it was designed, manufactured, approved and/or authorized, or repair of products damaged by these modifications is not covered under this warranty.

THE WARRANTY PROVIDED HEREIN SHALL BE THE SOLE AND EXCLUSIVE WARRANTY. THERE SHALL BE NO OTHER WARRANTIES EXPRESS OR IMPLIED INCLUDING ANY IMPLIED WARRANTY OF MERCHANTABILITY OR FITNESS OR ANY OTHER OBLIGATION ON THE PART OF THE COMPANY WITH RESPECT TO PRODUCTS COVERED BY THIS WARRANTY. SI PRODUCTS SHALL HAVE NO LIABILITY FOR ANY INCIDENTAL, CONSEQUENTIAL OR SPECIAL DAMAGES. IN NO EVENT SHALL THIS WARRANTY REQUIRE MORE THAN THE REPAIR OR REPLACEMENT OF ANY PART OR PARTS WHICH ARE FOUND TO BE DEFECTIVE WITHIN THE EFFECTIVE PERIOD OF THE WARRANTY.

NO REFUNDS WILL BE GIVEN. IF REPLACEMENT PARTS FOR DEFECTIVE MATERIALS ARE NOT AVAILABLE, SI PRODUCTS RESERVES THE RIGHT TO MAKE PRODUCT SUBSTITUTIONS IN LIEU OF REPAIR OR REPLACEMENT.

This warranty does not extend to the purchase of opened, used, repaired, repackaged and/or resealed products, including but not limited to sale of such products on Internet auction sites and/or sales of such products by surplus or bulk resellers. Any and all warranties or guarantees shall immediately cease and terminate as to any products or parts thereof which are repaired, replaced, altered, or modified, without the prior express and written consent of SI PRODUCTS.

This warranty provides you with specific legal rights. You may have additional rights which may vary from state to state. Because of individual regulations, some of the above limitations and exclusions may not apply to you.

For more information regarding our product line in the USA, please visit: [www.siproducts.com](http://www.siproducts.com)

For service or repair - do not return this unit to the retailer.

Contact SI PRODUCTS Consumer Relations at 1-888-856-6781.

©The Sharper Image. All rights reserved. THE SHARPER IMAGE name and logo are registered trademarks.

SI Products  
 Service Center

1.888.856.6781  
 8:30a.m. – 7:00p.m. (EST)  
 M – F

Mail To: SI Products  
 Consumer Relations  
 Service Center Dept. 168  
 3000 Pontiac Trail  
 Commerce Township, MI  
 48390

e-mail:  
[cservice@siproducts.com](mailto:cservice@siproducts.com)